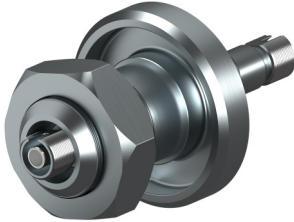




M16 Vacuum Fiber Optic Adapter Feedthrough

Hermetic Fiber Optic Feedthrough with Adapter Interface



SQS offers many types of vacuum fiber optic feedthroughs as well as high pressure fiber optic feedthroughs. M16 vacuum fiber optic adapter feedthrough construction has been optimized for high vacuum applications. This is a solution suitable for a wall thickness of 7 mm to 13 mm with a hole diameter of 16.5 mm to 17 mm.

Application examples can be seen in various industries, also in military applications, oil and gas applications, etc. Fiber optic feedthrough flange is fully demountable, i.e. single feedthroughs can be easily replaced. SQS has developed its own technology for the optical fiber sealing.

This technology allows working with different types of optical fibers including polarization maintaining fibers (PM).

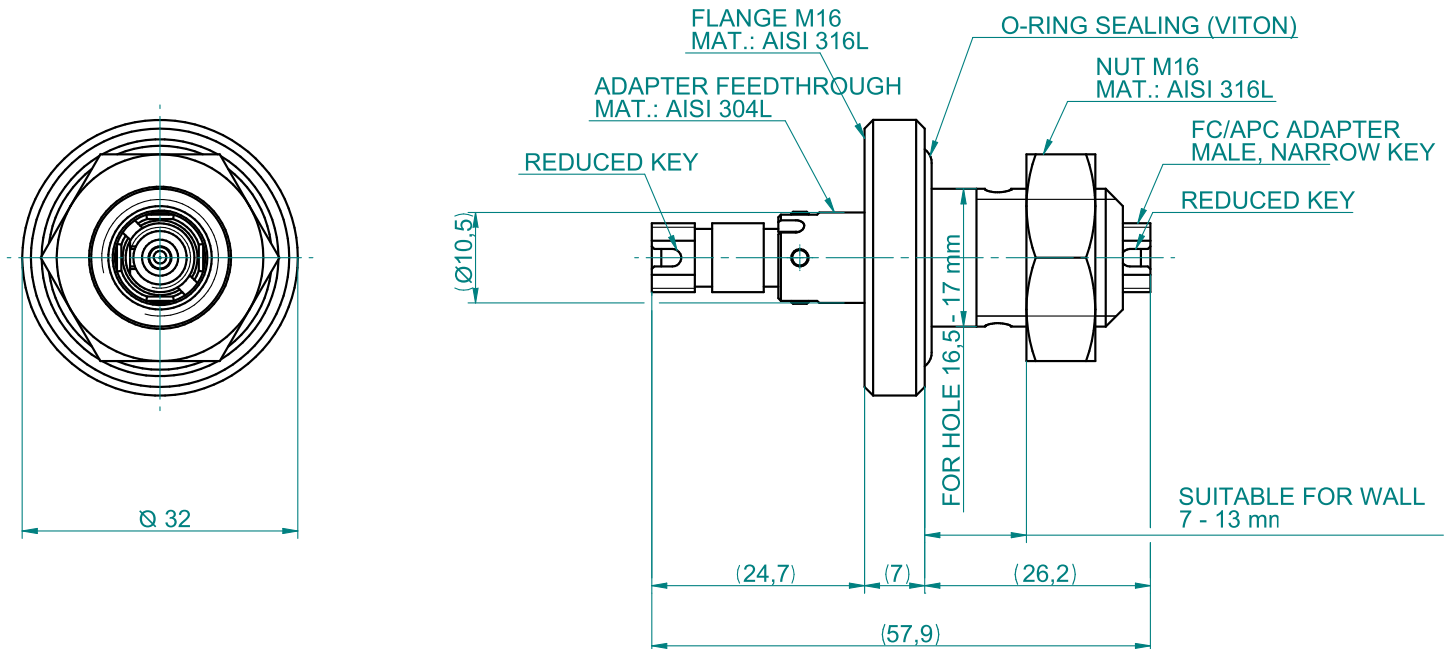
M16 Vacuum Fiber Optic Adapter Feedthrough Specification

Parameters	Note
Interface:	FC/APC or FC/PC (SS 304L, FEMALE)
Flange:	M16 thread (SS 316L)
Sealed type of fiber:	SM (VIS, NIR), MM (UV, VIS, NIR), PM (VIS, NIR)
Hermeticity [mbar.l/s/]:	10^{-10} to 10^{-12}
Insertion loss [dB]:	max. 0,8 (typ. 0,5)
Conditions [K/min]:	max. heating/cooling rate 3
Operating temperature [°]:	-25 to +180

* All feedthroughs are fully removable from the flange.

** The adapter and zirconium mating sleeve is replaceable within feedthrough itself.

Atmosphere Side UHV Side



Customer Solutions

