



# Vacuum Adapter Fiber Optic Feedthroughs

## Hermetic Fiber Optic Feedthrough with Adapter Interface



Adapter interface (female)	FC/APC, FC/PC, SMA 905 or ST/PC
Housing type	SM (VIS,NIR), MM (UV,VIS,NIR), PM (VIS, NIR)
Hermeticity [mbar.l/s]	10 <sup>-10</sup> to 10 <sup>-12</sup>
Flange type	CF, KF, ISO, customized or without flange
Housing and flange material	Stainless steel - 304, 304L, 316L, other
Insertion loss [dB]	max. 0,8 (typ. 0,5) @1310/1550nm*
Operating temperature [°C]	-40 to +200, -20 to +70 (PM version)
Sealing in flange	Viton O-ring** or laser welded

\*) Other wavelengths available

\*\*) Fiber optic feedthrough sealed with Viton O-ring is simply replaceable in the flange.

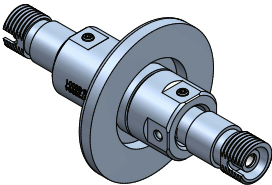
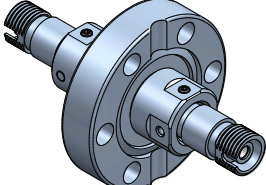
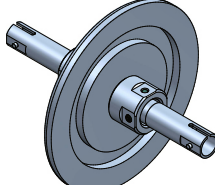
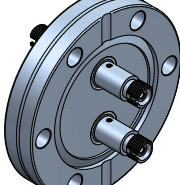
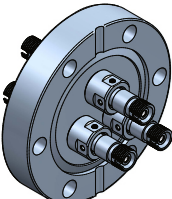
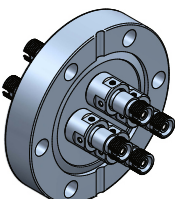
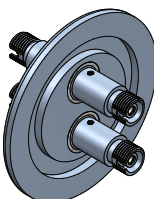
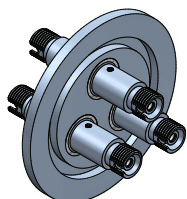
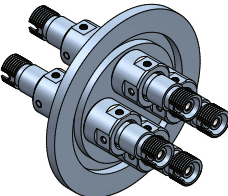
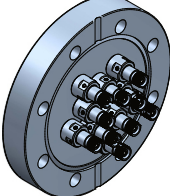
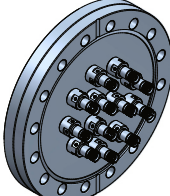
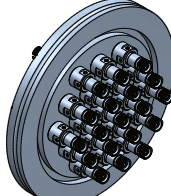
Vacuum feedthroughs with adapter interface have been designed for use in high and ultra-high vacuum, but also work in low positive pressure applications.

The feedthrough assembly consist of a steel housing with a hermetically sealed fiber inside and an adapter interface on both sides. All materials used have low rate of outgassing in vacuum. Many fiber types (SM, PM, MM) can be sealed inside the feedthrough, so the feedthroughs can be used in a variety of applications.

The adapter interface allows easy connection of the patch cable to feedthrough without additional connector adapters.

In case of wear, inner ceramic mating sleeve can be replaced as well as adapter interface. Feedthroughs are available alone or in flange (FC, KF, ISO, customized), where they are welded or sealed with Viton O-ring. Feedthroughs with O-ring seals are removable from the flange.

### Several Variants of Optical Feedthroughs (Many other configurations are possible)

1 x FC-APC; KF 16 FLANGE 	1 x FC-APC; CF 16 FLANGE 	1 x ST-PC; KF 40 FLANGE; 	2 x FC-APC ; CF40 FLANGE 
3 x FC-APC; CF40 FLANGE 	4 x FC-APC; CF40 FLANGE 	2 x FC-APC; KF40 FLANGE 	3 x FC-APC; KF40 FLANGE 
4 x FC-APC; KF40 FLANGE 	10 x FC-APC; CF63 FLANGE 	12 x FC-APC; CF100 FLANGE 	19 x FC/APC; ISO-K 100 FLANGE 

### Custom Solutions

